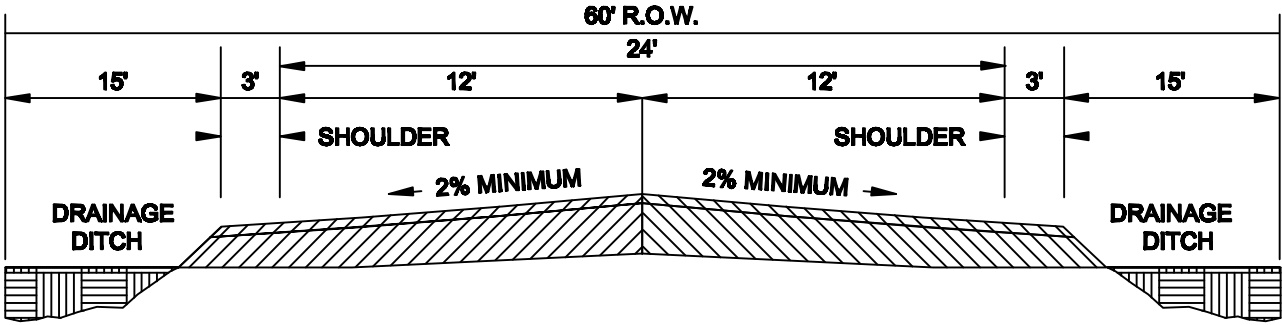



ONE & TWO FAMILY RESIDENTIAL LARGE LOT - NO PARKING



NOTES:

- 1. STRUCTURAL SECTION REQUIRES DETAILED ENGINEERING DESIGN, SUBJECT TO THE APPROVAL OF THE CITY ENGINEER. CITY WILL ACCEPT DESIGNS THAT INCORPORATE BIAXIAL GEOGRID.

DATE APPROVED: 7/08	DWG. NO: ST-012	SCALE: N.T.S.	 ENGINEERING DEPARTMENT
DRAWN BY: RAS	SHEET: 1 OF 1		
FILENAME: One & Two Family Residential Large Lot (No Parking)			
P:\CURRENT NEW BRAUNFELS DETAILS\2008\			