

**Sec. 110-58. Container pads and enclosures for commercial containers.**

All new container, new account holder, and service requests to change container size must first comply with the following standards for container pads and screening prior to collection by the City:

(a) No dumpster or screening shall be permanently placed or constructed upon any site without first obtaining a permit from the Building Department. In order to obtain such permit, an application accompanied by a plat of the property on which the dumpster and screening is to be located, drawn to scale and showing construction details, the location of all structures, utilities, storm drain inlets, public rights-of-way, and the location of the proposed dumpster and all required screening, shall be submitted to the Building Department and Solid Waste and Recycling Division. The plat shall contain a statement that it is a true and accurate depiction of the site shown thereon and be signed by the owner or person who has charge, care, or control of the premises.

(b) Pavement Standards, all solid waste service locations on site shall be constructed with the following minimum standard:

1. All container pads and aprons shall be constructed of concrete six inches thick. The reinforcement within the concrete section shall consist of number four bars on 18-inch centers, centered within the pavement thickness.

(c) Required Screening, all containers are required to be screened from the right-of-way and all adjacent properties by a minimum seven-foot-high screen. A gate is required when opening is in view of the public right-of-way. Gates shall have a minimum width of 12 feet when open, shall swing 180 degrees from the closed position, and shall utilize a positive-locking mechanism while in the open position.

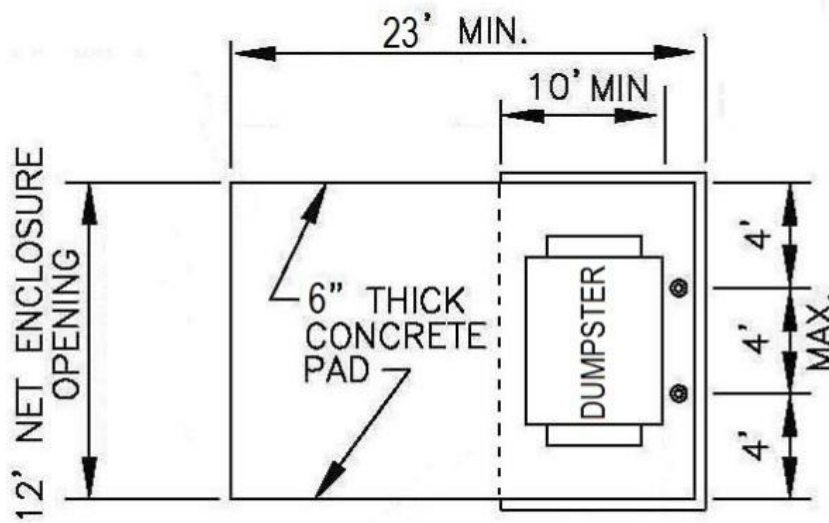
(d) Enclosures shall not be located closer than thirty feet (30') of any storm drain or in drainage flow areas.

(e) It is the City's preference that screening structures be located outside of any public easement. If maintenance of City utilities requires the removal of a screening structure, it must be replaced at the property owner's expense.

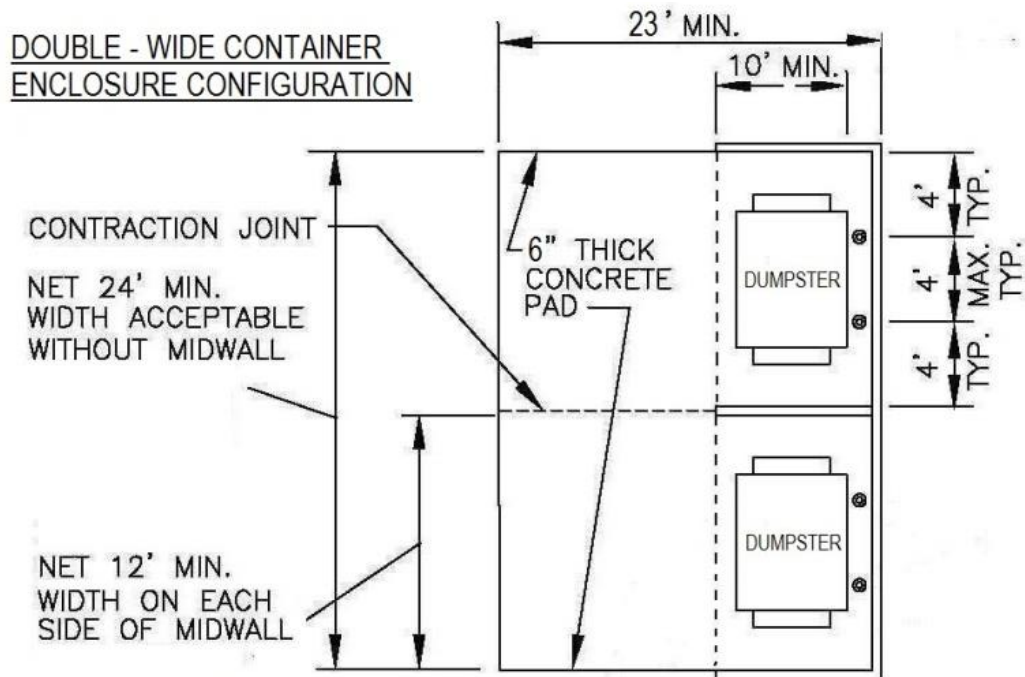
(f) Minimum interior clear measurements of enclosures: Bollards and other such obstructions shall not be set within the minimum dimensions for enclosures.

1. Interior clearance (inside the screen) dimensions for a:
  - a. Single (3, 4, 6, or 8-yard) dumpster enclosure shall be 10 feet deep x 12 feet wide. The minimum width of the gate or doors shall be no less than the enclosure opening, and they shall open 180°.

SINGLE - WIDE CONTAINER  
ENCLOSURE CONFIGURATION

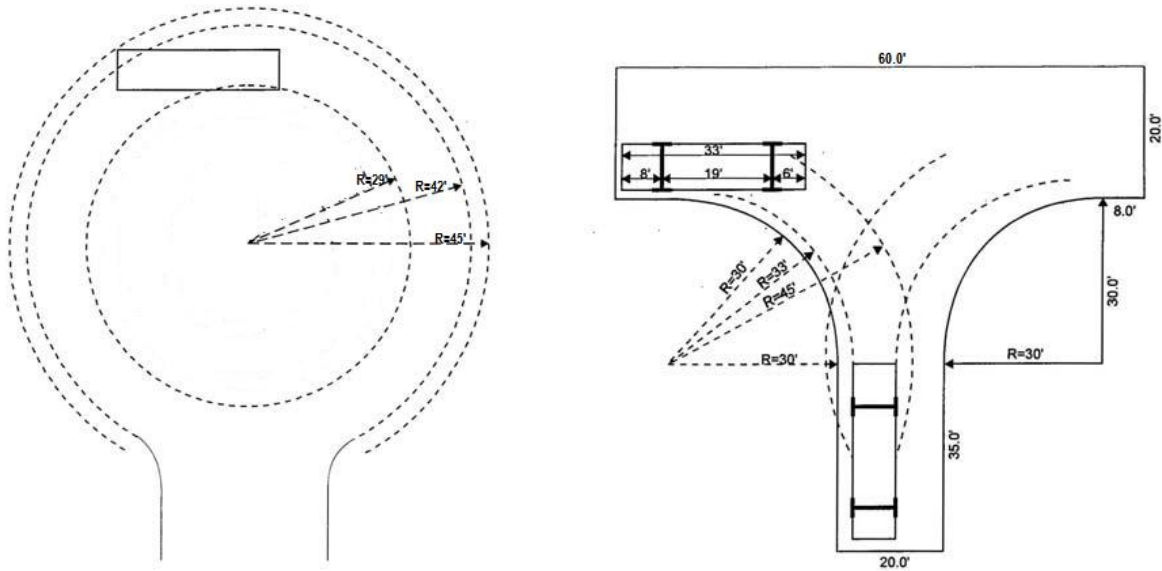


b. Double (two 3, 4, 6, or 8-yard) dumpster enclosure shall be no less than 10 feet deep x 24 feet wide. The minimum width of the gate or doors shall be no less than the enclosure opening, and they shall open 180°.





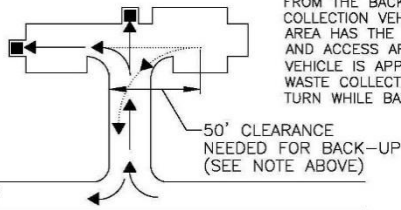
(g) Pad shall be level with roadway or slope to roadway for easy access by collection vehicles. All access areas shall be a minimum unobstructed width of 20 feet, 65 feet in length and 16 feet in height. Outside turning radii in these areas shall be a minimum of 45 feet. At no time shall a collection vehicle be required to back while turning or more than 50 feet while on the property or be required to back out into or in from a public right-of-way. In such cases, a tee or circle turnaround that meets the minimum standards, as shown below, will be required.



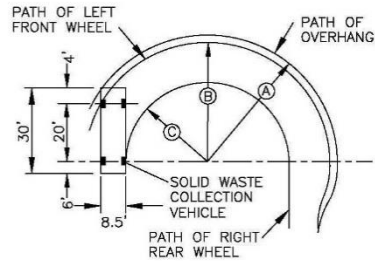
In all cases, approach design should facilitate a looping or circle ingress/egress path that avoids necessity of collection vehicle having to conduct backing maneuvers as much as possible. Screens may be constructed of stone, masonry block; wood or chain link fencing with slats and shall be constructed so as to screen viewing by persons standing at ground level on the site, or an immediately adjoining property.

**PLEASE NOTE:**  
SOLID WASTE VEHICLES WEIGH APPROX. 33 TONS WHEN FULL. DRIVEWAYS MUST BE BUILT TO SUPPORT THIS WEIGHT WITHOUT DAMAGE TO DRIVE.

**HAMMER HEAD DRIVE**



**SAFETY NOTE:**  
BACKING UP MORE THAN 50' AFTER SERVICE TO A SOLID WASTE BIN IS PROHIBITED. THE 50' IS MEASURED FROM THE BACK OF THE SOLID WASTE COLLECTION VEHICLE. MAKE SURE THE AREA HAS THE PROPER TURNING RADIUS AND ACCESS AREA TO LEAVE SITE. THE VEHICLE IS APPROX. 36' LONG. SOLID WASTE COLLECTION VEHICLES WILL NOT TURN WHILE BACKING.

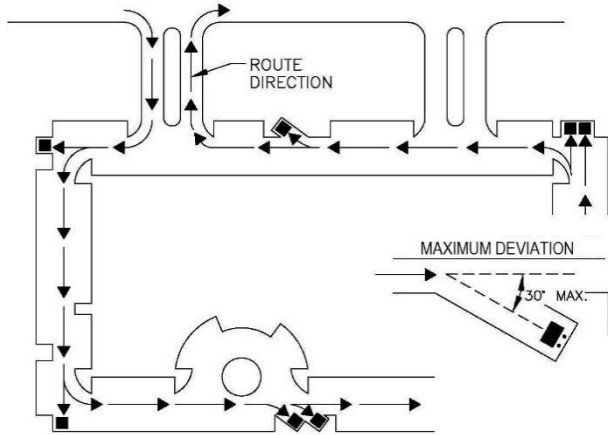


- (A) 45' MIN. TURNING RADIUS
- (B) 42' TURNING RADIUS
- (C) 29' TURNING RADIUS

**CLEARANCE REQUIREMENTS**

**NOTES**

1. ALL CURBS ARE TO BE ALIGNED ON THE OUTSIDE OF ENCLOSURE WALLS. THE CURBS SHALL NOT INTERFERE WITH THE ROUTE OF THE SOLID WASTE COLLECTION VEHICLE.
2. IN GENERAL TERMS, ALL SOLID WASTE COLLECTION ROUTES SHALL MEET ENGINEERING DESIGN CRITERIA (STREET WIDTHS, TURNING RADI) IN A MANNER THAT ALLOWS SOLID WASTE COLLECTION VEHICLES ACCESS TO DUMPSTER ENCLOSURES. SITES SHALL BE DESIGNED SO COLLECTION VEHICLES CAN SAFELY ACCESS AND LIFT A DUMPSTER WITHOUT OBSTRUCTIONS (GROUND LEVEL AND AERIAL OBSTRUCTIONS).
3. FOR THE SAFETY OF OTHERS, SOLID WASTE COLLECTION VEHICLES WILL NOT BACK UP INTO A PUBLIC ROADWAY OR MORE THAN 50 FEET AFTER SERVICING A DUMPSTER AND WILL NOT MAKE ANY TURNS WHILE BACKING.
4. NO AWNINGS OR BUILDING PROJECTIONS ALLOWED IN SOLID WASTE COLLECTION VEHICLE ROUTES. MIN. OVERHEAD CLEARANCE OF 14' IS REQUIRED IN DRIVE AND 25' OVER DUMPSTER ENCLOSURE AREA FROM STEEL BOLLARD POSTS BACK 65'.
5. ROUTES SHALL BE CLEAR OF ALL OBSTRUCTIONS (CURBS, WALLS, OVERHEAD WIRES, AND AWNINGS) TO PREVENT DAMAGE FROM THE COLLECTION VEHICLE.
6. TAKE NOTE OF THE SOLID WASTE COLLECTION ROUTE. THE COLLECTION VEHICLE SHALL TRAVEL THROUGH A SITE ONCE WITHOUT BACKTRACKING.
7. DUMPSTER ENCLOSURES ARE TO BE ANGLED NO MORE THAN 30 DEGREES FROM THE CENTER LINE OF THE SOLID WASTE COLLECTION VEHICLE ROUTE.
8. DUMPSTER ENCLOSURES SHALL BE LOCATED AWAY FROM ENTRANCES AND EXITS SO SOLID WASTE COLLECTION VEHICLE DOES NOT CREATE A SAFETY HAZARD BY BLOCKING IN-COMING OR OUT-GOING TRAFFIC.
9. STANDARDS FOR SINGLE, DOUBLE, AND TRIPLE DUMPSTER ENCLOSURES ARE ADDRESSED ON PAGES 2 & 3



A TYPICAL SOLID WASTE COLLECTION ROUTE

(h) Dimensions for maneuvering, the maximum deviation from the access path to the enclosure shall be 30°, a clear maneuvering area of up to 65 feet in front of the container will be required. No parking will be allowed in the maneuvering area.

(i) Whenever, in the opinion of the Solid Waste Manager or designee, a dumpster and/or the screen cannot be located upon a particular site so as to conform with these requirements, or there are special circumstances which make the requirements wholly impracticable, the Solid Waste Manager or designee may designate a location for the dumpster which in his discretion is the most accessible and aesthetically appropriate or make exemptions from the requirements as necessary.